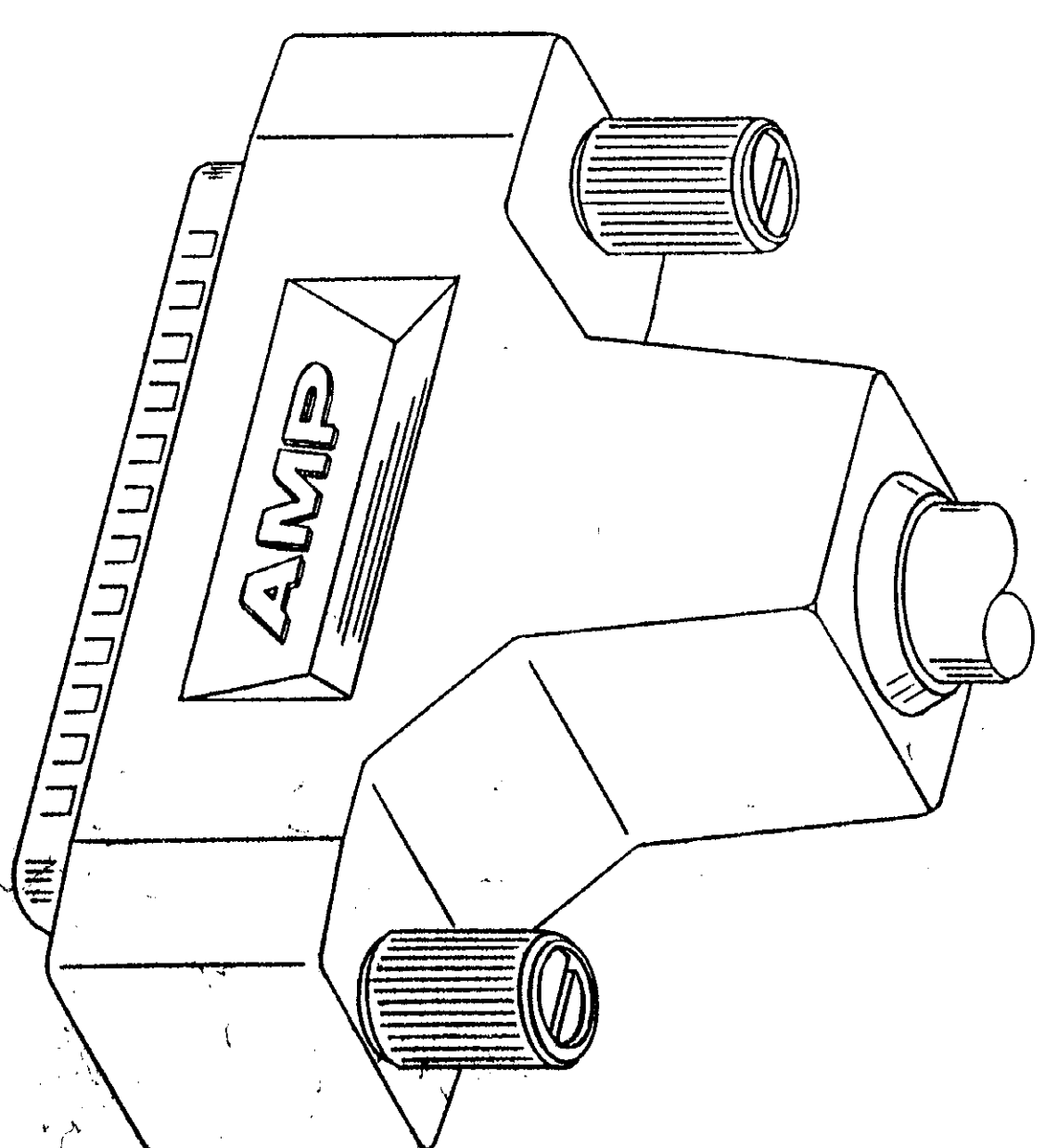
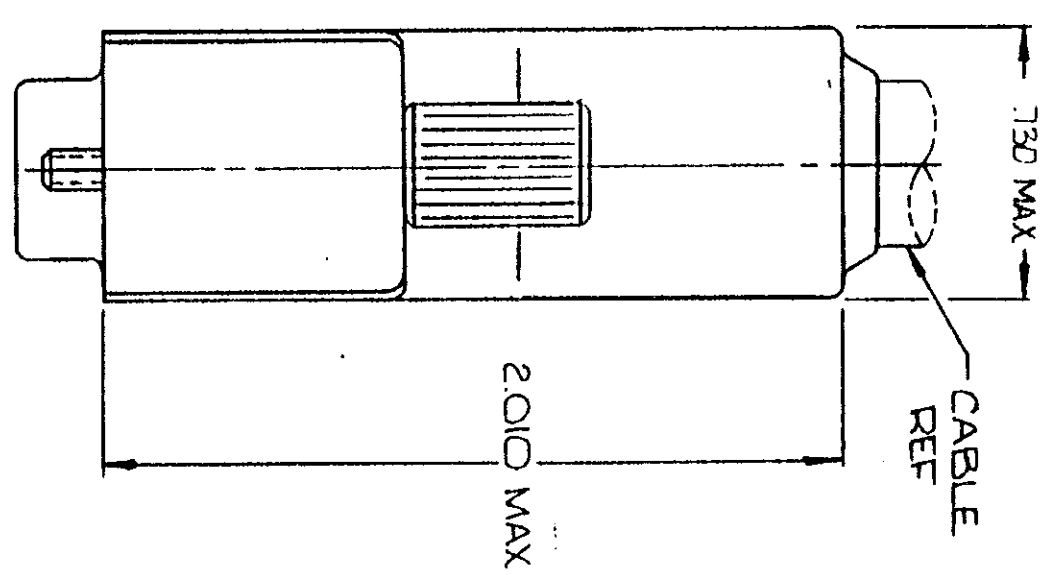
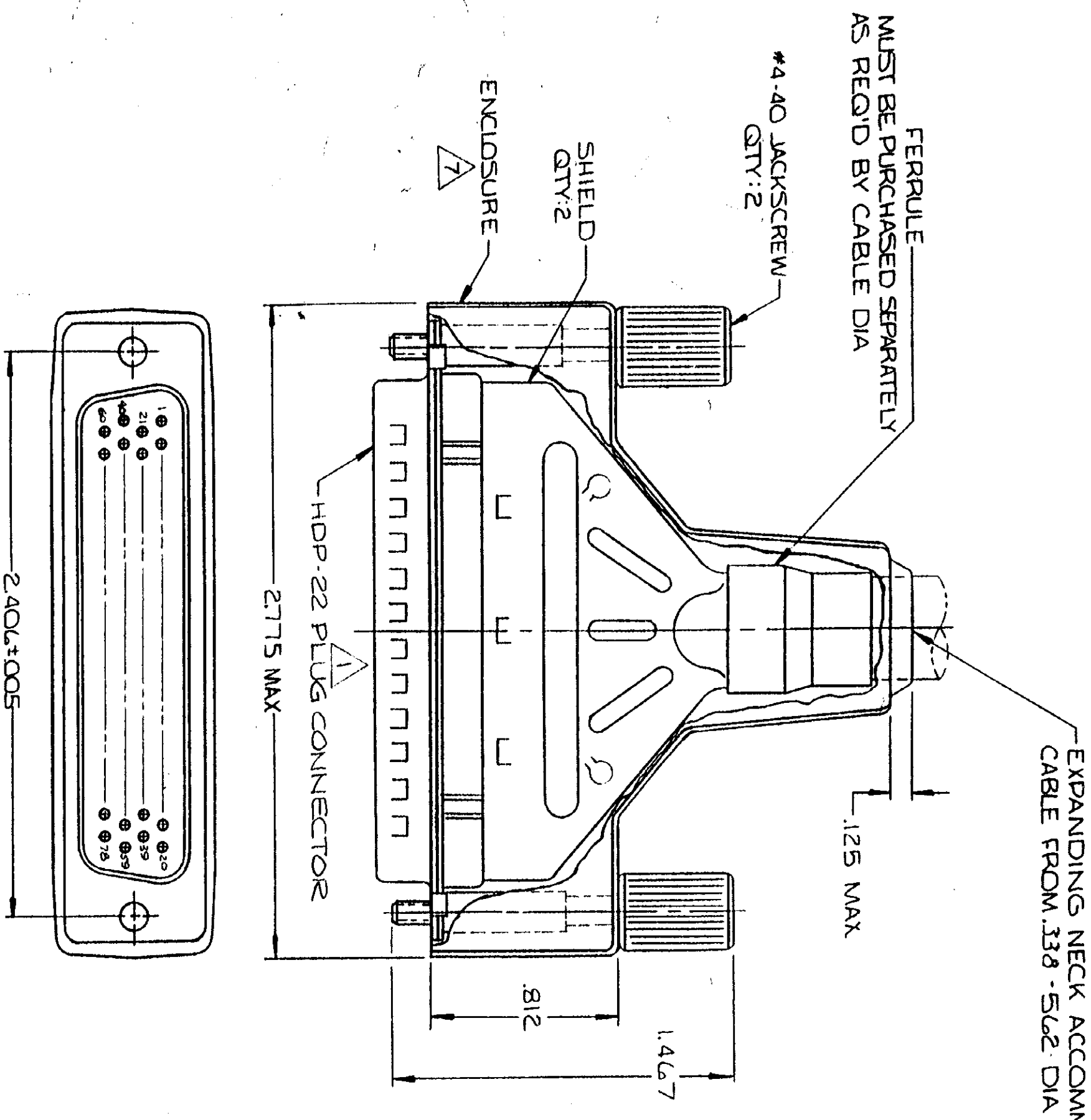


THIS DRAWING IS UNPUBLISHED. RELEASED FOR PUBLICATION 19  
 COPYRIGHT 19 BY AMP INCORPORATED, HARRISBURG, PA. ALL INTERNATIONAL RIGHTS  
 RESERVED. AMP PRODUCTS MAY BE COVERED BY U.S. AND FOREIGN PATENTS AND/OR PATENTS PENDING.

REVISIONS			
P F ZONE	LTR	DESCRIPTION	DATE APPROVED
0	A	RELEASED WAS 86-5520-5	11/30/86 EW
1	A	REVISED - ECN BD2607	2/17/89 EW
2	B	REV PER ECN BD2328	4-24-90
3	C	REV PER ECN BD4294	4-6-92 TMS
4	D	REVISED PER ECN BD6133	



1. PLUG ACCEPTS SIZE 22 DFP PIN CONTACTS, CONTACTS MUST BE PURCHASED SEPARATELY.
2. ALL PARTS SHIPPED UNASSEMBLED, EACH PART INDIVIDUALLY BULK PACKED.
3. FLAME RETARDANT 94V-0 RATED, GLASS-FILLED NYLON, COLOR: BLACK.
4. STEEL PER ASTM A109.
5. TIN PLATING PER MIL-T-10727.
6. ZINC PLATING PER ASTM B633, TYPE II, CLASS SC1, BLACK CHROMATE.
7. FLAME RETARDANT 94V-0 RATED, STYRENE POLYOLEFIN OR PVC, COLOR: BLACK.

UNLESS OTHERWISE SPECIFIED DIMENSIONS ARE IN INCHES. TOLERANCES ON: DECIMALS ± .020 ANGLES		CONTRACT NO	
MATERIAL INSERT: $\Delta$ SHELLS & SHIELDS: $\Delta$ JACKSCREWS: ZINC ALLOY		DR <i>[Signature]</i> 4-28-97	
FINISH SHELLS & SHIELDS: $\Delta$ JACKSCREWS: $\Delta$		CHK <i>[Signature]</i> 4-30-87	
APPROD <i>[Signature]</i> 4/30/87		APPROD <i>[Signature]</i> 4/30/87	
DSGN APPRO		OTHER APPRO	
AMP   AMP INCORPORATED HARRISBURG, PA. 17105		NAME SHIELDING ENCLOSURE KIT, PLUG, SIZE 5, 78 POSN, AMPLIMITE® HDP-22	
SIZE	FSCM NO	DRAWING NO	PART NO
C	00779	748477	748477-1
SCALE 2:1		SHEET 1 OF 1	